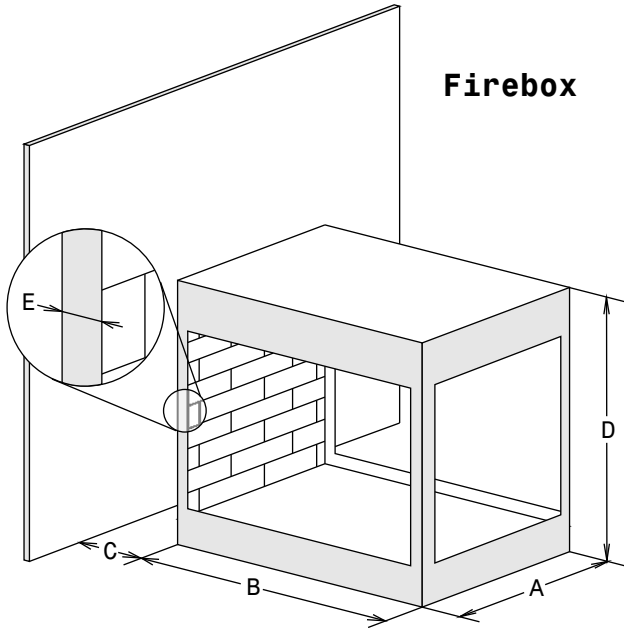


Multi-View Mantel Caps

DRACME
CAST STONE FIREPLACE SURROUNDS

Toll Free Phone 1-877-990-8635
Telephone 1-450-649-9525
Toll Free Fax 1-877-990-8636
Fax 1-450-649-0543
sales@dracme.com

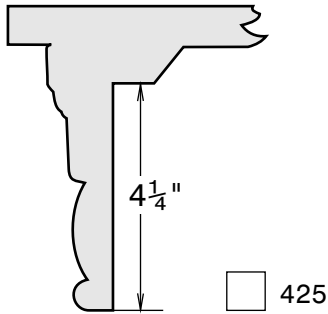


Firebox

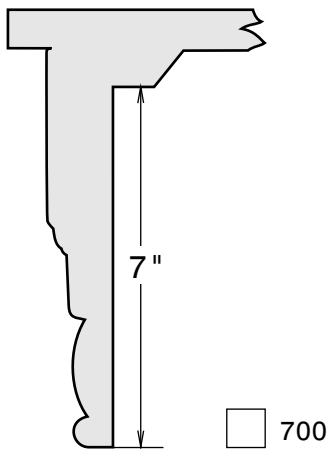
Brand Model

A - Total Firebox Depth
 B - Total Firebox Width
 C - Distance from firebox to wall
 D - Total Firebox Height
 E - Total Extension Trim Width

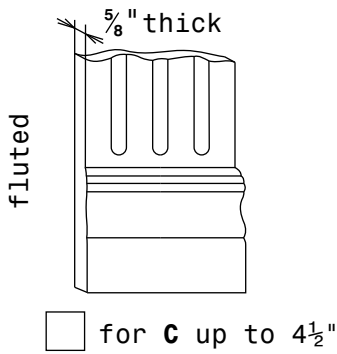
Mantel Cap Choices



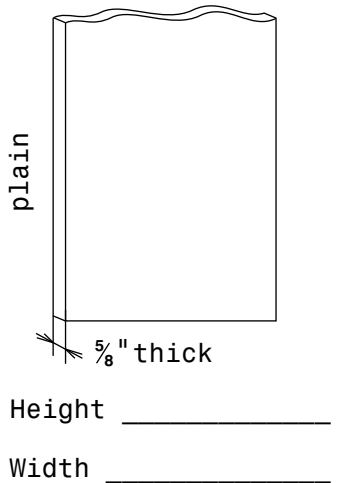
or



Side Column Choices



or



Base Choices

4" height
 6" height
 8" height
 not required

Colors & Finish Choices

COLOR : Natural Ivory
 FINISH : Glastone Piereacast

Other notes

FAX THIS FORM TO
1-877-990-8636

CONTACT NAME _____ PHONE _____
 COMPANY _____ FAX _____
 EMAIL ADDRESS: _____ PO# _____

Please visit
www.dracme.com
 to view all models
 and products