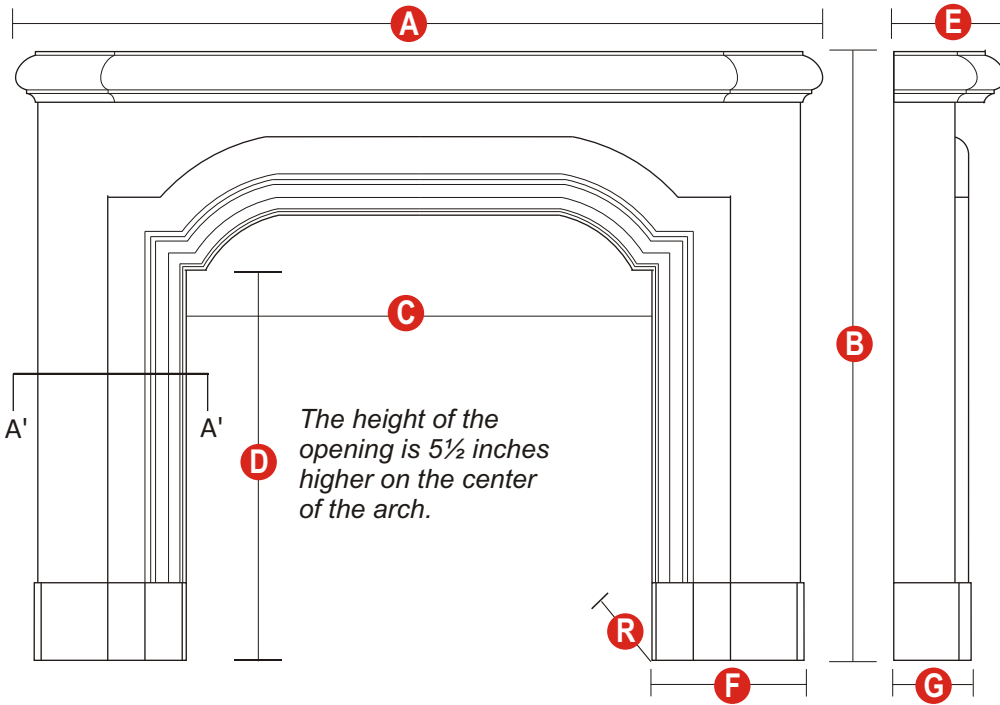


Megan

DRACME
CAST STONE FIREPLACE SURROUNDS

Toll Free Phone 1-877-990-8635
Telephone 1-450-649-9525
Toll Free Fax 1-877-990-8636
Fax 1-450-649-0543
sales@dracme.com



The height of the opening is 5½ inches higher on the center of the arch.

COLOR

Natural Ivory

FINISH

Glastone Pietracast

	Standard Dimensions	Custom MAX. (no minimum)	Dimensions (needed for ordering)
A - Total Width	79¾"	79¾" (cannot be changed)	~~~~~
B - Total Height	60"	D + 21 ½"	~~~~~
C - Opening Width	46"	46" (cannot be changed)	~~~~~
D - Opening Height	38½"	up to 56 ½"	
E - Shelf Depth	11"	R + 10"	~~~~~
F - Leg Width	15"	15" (cannot be changed)	~~~~~
G - Leg Depth (toe)	7¾"	R + 6¾"	~~~~~
R - Return	<input type="checkbox"/> 0", <input type="checkbox"/> ½" or <input type="checkbox"/> 7/8"	up to 18"	

Note: These measurements can vary slightly

Standard filler panels kit: 2 x (9" x 42") + 1 x (14" x 50")

Custom filler panels:	Width	Length	Quantity
Standard filler:	9" x	42"	<input type="checkbox"/>
Standard filler:	14" x	50"	<input type="checkbox"/>
Custom size filler panels:	<input type="text"/> x	<input type="text"/>	<input type="checkbox"/>
(maximum 20" x 60")	<input type="text"/> x	<input type="text"/>	<input type="checkbox"/>

Fireplace Opening: W _____ x H _____

OTHER NOTES (raised hearths, hearth pads, slabs etc.):

<p>FAX THIS FORM TO 1-877-990-8636</p>	CONTACT NAME _____ PHONE _____	<p>Please visit www.dracme.com to view all models and products</p>
	COMPANY _____ FAX _____	
	EMAIL ADDRESS: _____ PO# _____	